

ELECTRONIC INVERTER [110Vdc 10W Energy Saver]

EWEB 1352



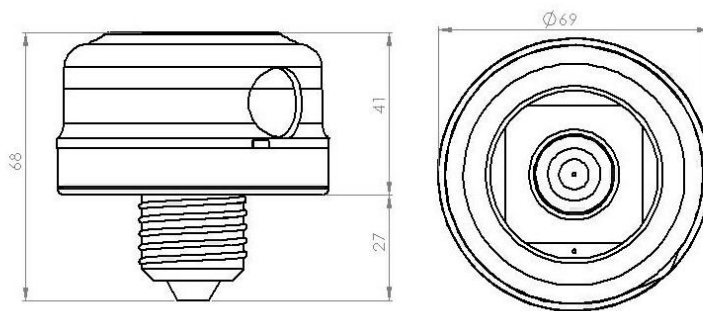
DESCRIPTION:

The Inverter is the Electroweb unit for 10W applications in systems that use 110Vdc supplies. Various protection systems are provided, including over voltage and no load protection. The unit comes standard with pre-heat function, greatly increasing lamp life. The unit is very efficient and uses very little current, making it well suited for energy-saving projects

FEATURES:

- SABS 1628:1995 Report nr 5483/128/0323/S073
- Under voltage Protection
- Over voltage Protection
- Reverse Polarity Protection
- Voltage Surge Protection
- Current Surge Protection

OUTLINE DIMENSIONS (in millimetres):



SPECIFICATION SHEET:

SPECIFICATIONS	DATA
PART NUMBER	EWEB 1352
CONTINUOUS OUTPUT POWER	10 Watt
INPUT VOLTAGE RANGE	60Vdc - 160Vdc
INPUT VOLTAGE RATED FOR	110Vdc
FREQUENCY INPUT / DC	DC
PEAK INPUT CURRENT	Irms=183mA (60V) / 100mA (110V)
EFFICIENCY	90%
NO LOAD CURRENT	4 mA
PROTECTION AVAILABLE	Under/over input voltage, Preheat, lamp failure shutdown, Reverse Polarity (Bridge Rectifier)
STARTING SYSTEM	Power factor controller / 3 phase hot start
COMPLY TO SPECIFICATION	SABS 1628:1995 Report no. 5483/128/0323/S073
LAMP TYPES TO DRIVE	PL-S 10W/4P, PL-C 13W/4P
OPERATING TEMPERATURE	0-40°C
DIMENSIONS	68(L)mm x 69(D)mm
WEIGHT	0.121Kg