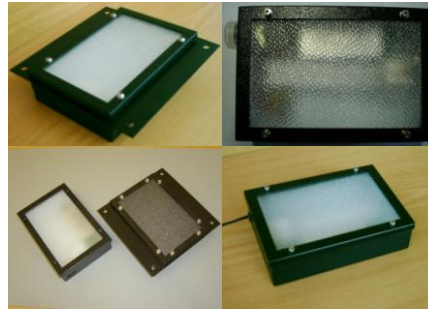
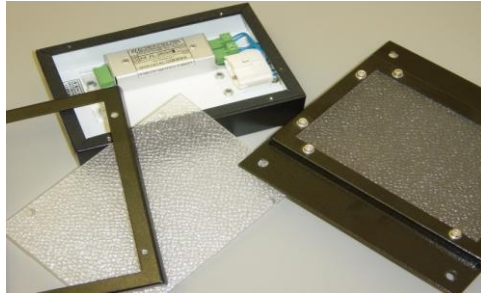


LIGHT ASSEMBLIES [ELECTROBULK LIGHT]

EWEB 2140



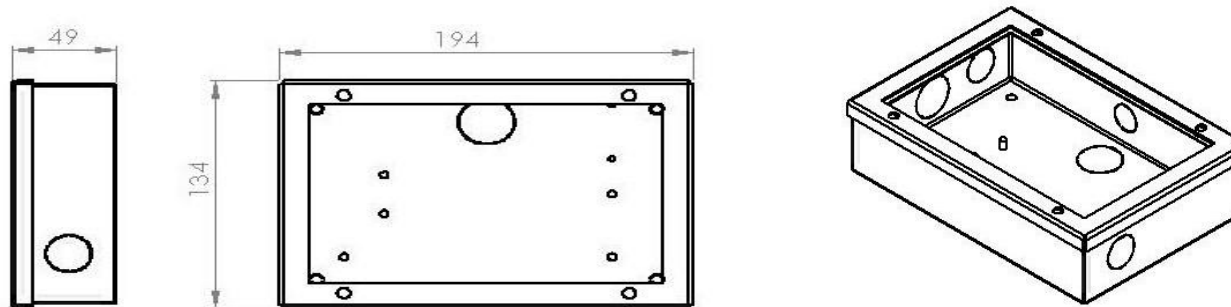
DESCRIPTION:

The units use 9W fluorescent lights. These lights are very efficient and supply a large amount of light for the minimum of current requirements. The units are equipped with soft starting ballasts which greatly increases lamp life. The units are available in 3 different operating voltages, namely 24Vdc, 74Vdc and 110Vdc. A variety of packages are available, with a variety of extras and functions.

FEATURES:

- Include 9W Fluorescent lamp
- Option for on/off switch
- Option for mounting flange
- Option for Dimming Setting
- Option for LED backlight
- Over Voltage Protection
- Voltage Surge Protection
- Current Surge Protection
- Reverse Polarity Protection

OUTLINE DIMENSIONS (in millimeters):



SPECIFICATION SHEET:

PRODUCT	COLOUR	INPUT VOLTAGE	INVERTER	LAMP INCLUDED	DIMENSIONS	MASS
ELECTROBULK STD	BLACK	60Vdc - 160Vdc	110Vdc 9W STD	YES	194(L) x 135(W) x 49(H)mm	1 Kg
ELECTROBULK WITH SWITCH	BLACK	60Vdc - 160Vdc	110Vdc 9W STD	YES		
ELECTROBULK WITH FLANGE	BLACK	60Vdc - 160Vdc	110Vdc 9W STD	YES		
ELECTROBULK WITH FLANGE - DIMMER	BLACK	60Vdc - 160Vdc	110Vdc 9W DIM	YES		
ELECTROBULK WITH FLANGE - LED BACKLIGHT	BLACK	60Vdc - 160Vdc	110Vdc 9W STD	YES		
ELECTROBULK STD	GREY	60Vdc - 160Vdc	110Vdc 9W STD	YES		
ELECTROBULK WITH FLANGE	GREY	60Vdc - 160Vdc	110Vdc 9W STD	YES		
ELECTROBULK STD - 24Vdc	BLACK	20Vdc - 28Vdc	24Vdc 11W STD	YES		