

LIGHT ASSEMBLIES [*Lighting Controllers*]

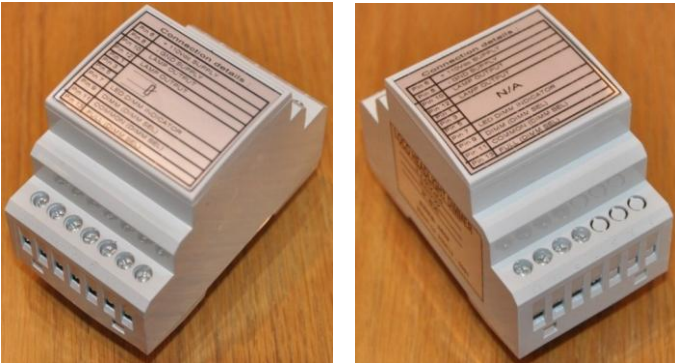
EWEB 2600

DESCRIPTION:

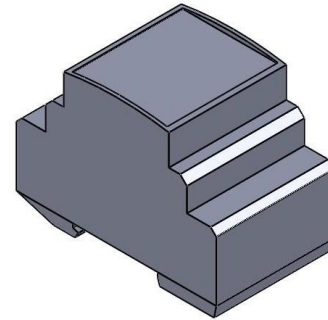
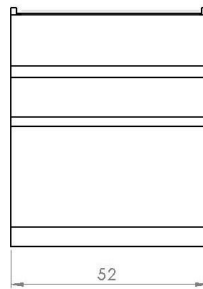
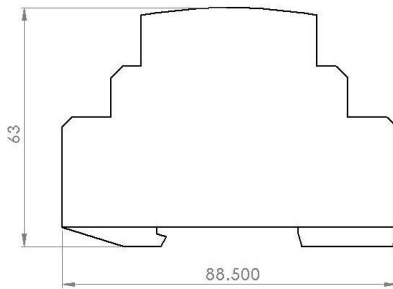
This 110Vdc unit is used to dim light modules. The percentage dimming output can be set according to clients' specification.

FEATURES:

- Dimming Module
- Percentage Dimming can be set by client
- Factory Dimming set to 50%



OUTLINE DIMENSIONS (in millimetres):



SPECIFICATION SHEET:

PRODUCTS	DATA	SIZE (L x W x H) mm	INPUT VOLTAGE
DRIVERS DESK DIMMER	External dimmer for desk lights	88.5 x 52 x 63	110Vdc
TRAIN HEADLIGHT DIMMER	External dimmer for train headlights	88.5 x 52 x 63	110Vdc