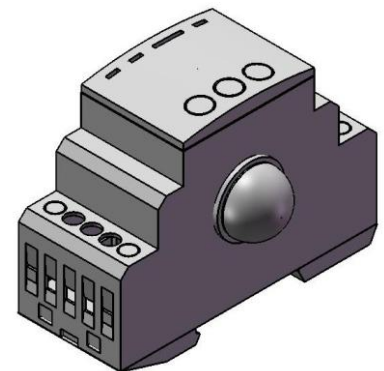
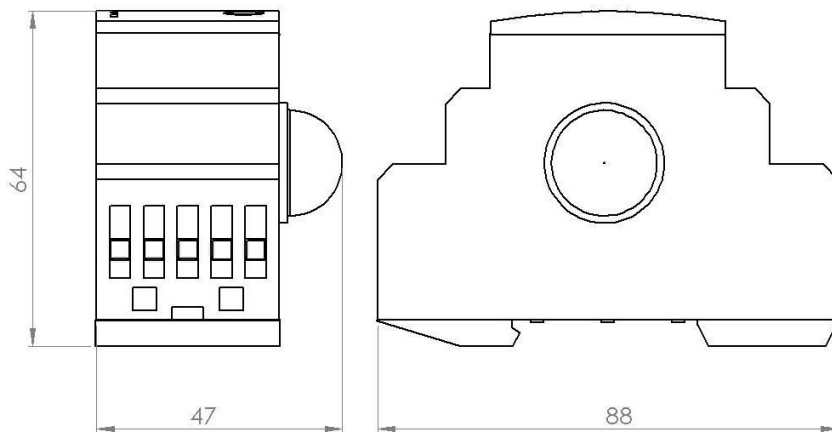


LIGHT ASSEMBLIES [Emergency LED Backup Module]

EWEB 2964- LOW PROFILE



OUTLINE DIMENSIONS (in millimetres):



DESCRIPTION:

This low profile LED backup module is used in our Professional Luminaire light systems. This module consists out of a control board, batteries and a high powered LED. The module comes into operation when the main power on the lights goes down. The LED will be on 10 minutes for every 25 minutes of charge time, with a maximum on time off 80 minutes.

FEATURES:

- High Powered LED
- Up to 80 minutes of “on-time ”
- Battery operated