

LED PRODUCTS [Taillights]

EWEB 4100



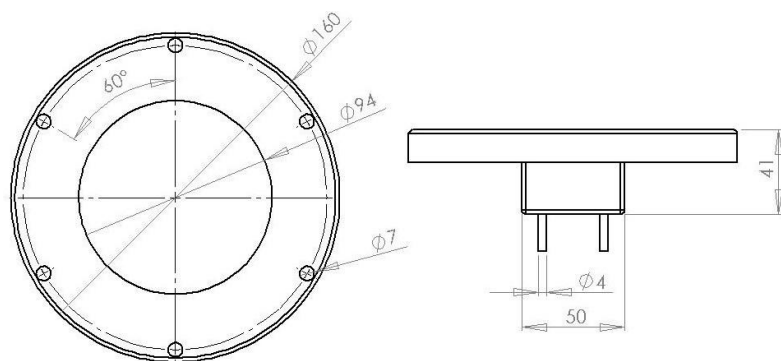
DESCRIPTION:

The case and lens of the unit is constructed of injection-moulded polycarbonate. The polycarbonate is highly durable and resistant to shock, and the units are constructed to prevent any dust and water from entering the unit and causing any damage. The LED's have a viewing angle of 8° from centre front and minimum brightness of 18 000 mcd per LED.

FEATURES:

- Multi-colours available
- Various Voltage Modules available
- Durable casing
- -5°C to 50°C operating temperature
- Under voltage Protection
- Over voltage Protection
- Reverse Polarity Protection

OUTLINE DIMENSIONS (in millimetres):



SPECIFICATION SHEET:

PRODUCT	INPUT VOLTAGE	COLOUR	LED COLOUR	DC-DC CONVERTER	DIMENSIONS (R x H) mm
NO - HOLE	110Vdc	GREY	RED	60-200Vdc TO 28Vdc	160 x 65
4 - HOLE	110Vdc	YELLOW	RED	60-200Vdc TO 28Vdc	
4 - HOLE	110Vdc	GREY	RED	60-200Vdc TO 28Vdc	
4 - HOLE	74Vdc	YELLOW	RED	60-200Vdc TO 28Vdc	
6 - HOLE	110Vdc	YELLOW	RED	60-200Vdc TO 28Vdc	
6 - HOLE	110Vdc	YELLOW	RED	60-200Vdc TO 28Vdc	
6 - HOLE	24Vdc	GREY	RED	24Vdc TO 24Vdc	
6 - HOLE	74Vdc	YELLOW	WHITE	60-200Vdc TO 28Vdc	
6 - HOLE	74Vdc	GREY	RED	60-200Vdc TO 28Vdc	
6 - HOLE	110Vdc	BLUE	RED	60-200Vdc TO 28Vdc	
6 - HOLE	230Vac	YELLOW	RED	230Vac to 24Vdc	
6 - HOLE	74Vdc	WHITE	WHITE	60-200Vdc TO 28Vdc	