

LED PRODUCTS *[Sidelight]*

EWEB 4150



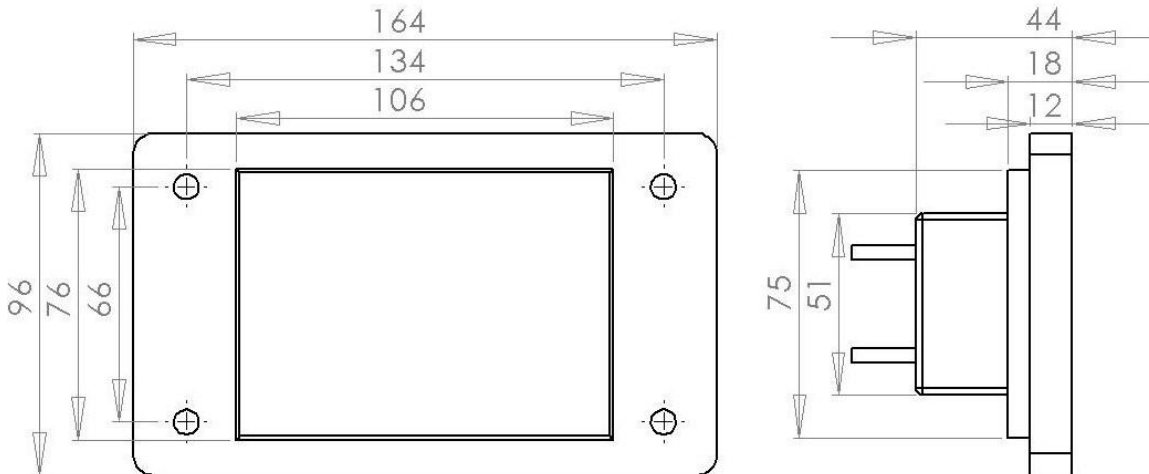
DESCRIPTION:

The case and lens of the unit is constructed of injection-moulded polycarbonate. The polycarbonate is highly durable and resistant to shock, and the units are constructed to prevent any dust and water from entering the unit and causing any damage. The LED's have a viewing angle of 8° from centre front and minimum brightness of 18 000 mcd per LED.

FEATURES:

- Grey/Yellow Case Colour available
- Durable casing
- -5°C to 50°C operating temperature
- Under voltage Protection
- Over voltage Protection
- Reverse Polarity Protection

OUTLINE DIMENSIONS (in millimetres):



SPECIFICATION SHEET:

PRODUCT	INPUT VOLTAGE	COLOUR	LED COLOUR	DC-DC CONVERTER	DIMENSIONS (L x W x H) mm
SIDELIGHT	110Vdc	GREY YELLOW	RED	60-200Vdc TO 28Vdc	164 x 96 x 60