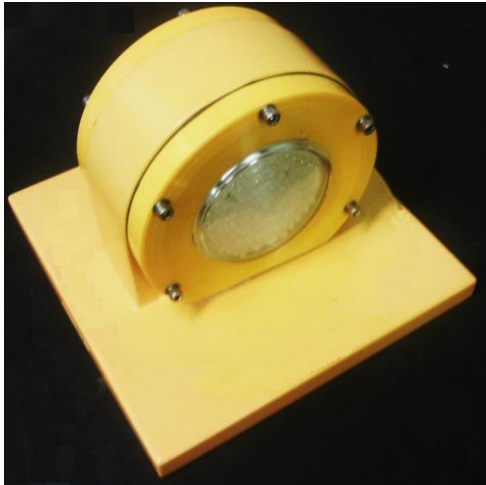


LED PRODUCTS [Winglights - Pocket Type]

EWEB 4206



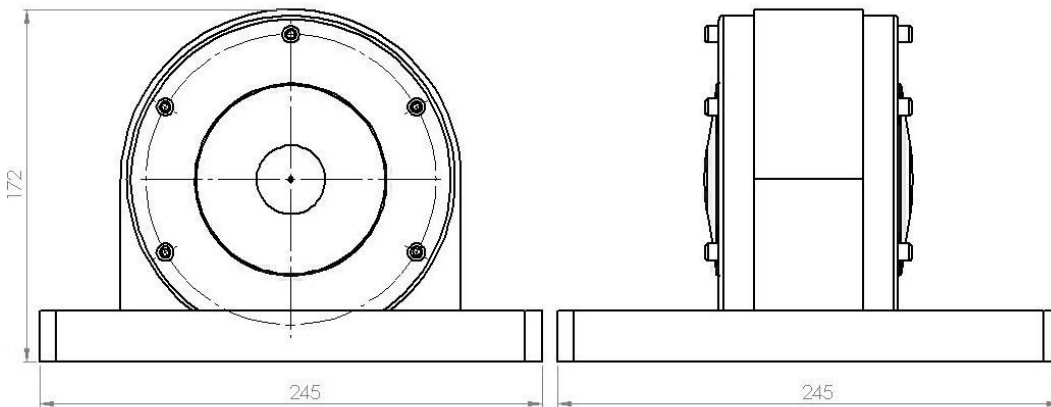
DESCRIPTION:

The case and lens of the units are constructed of injection-moulded polycarbonate. The polycarbonate is highly durable and resistant to shock, and the units are constructed to prevent any dust and water from entering the unit and causing any damage. The two units are mounted onto a mild steel frame. The winglight has a LED board on each side of the unit, each containing both white and red LED's. The LED's have a viewing angle of 8° from centre front and minimum brightness of 18 000 mcd per LED.

FEATURES:

- Durable casing
- -5°C to 50°C operating temperature
- Under voltage Protection
- Over voltage Protection
- Reverse Polarity Protection

OUTLINE DIMENSIONS (in millimetres):



SPECIFICATION SHEET:

PRODUCTS	INPUT VOLTAGE	COLOUR	LED COLOUR	OVERALL SIZE (Bracket) (L x W x H) mm	DC-DC CONVERTER
WINGLIGHT (P.T) WINGLIGHT pocket	230Vac	YELLOW YELLOW	RED & WHITE	245 x 245 x 172 245 x 245 x 90	230Vac to 24Vdc

ADD-ON POCKET ONLY

