

# LED PRODUCTS [Winglights]

## EWEB 4200



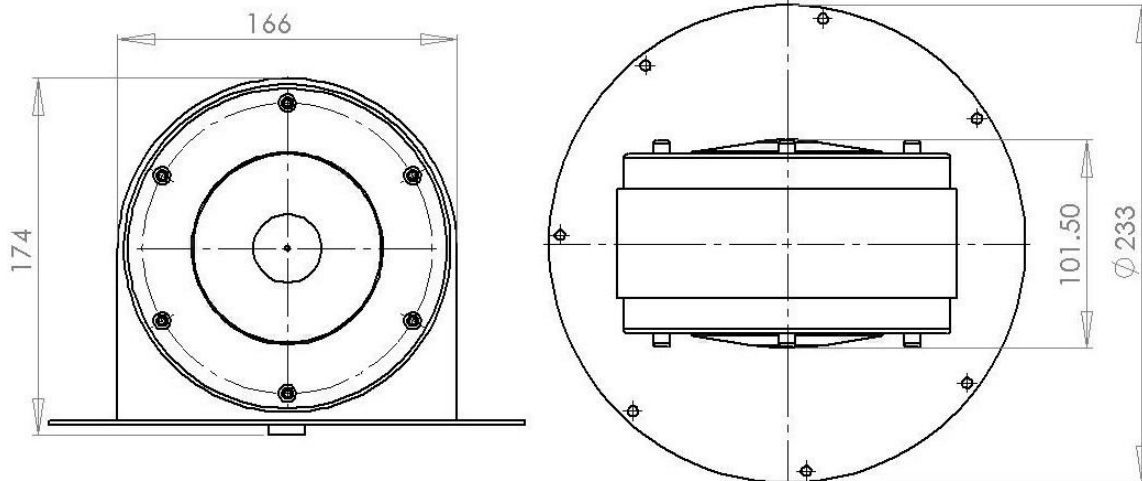
### DESCRIPTION:

The case and lens of the units are constructed of injection-moulded polycarbonate. The polycarbonate is highly durable and resistant to shock, and the units are constructed to prevent any dust and water from entering the unit and causing any damage. The two units are mounted onto a mild steel frame. The winglight has a LED board on each side of the unit, each containing both white and red LED's. The LED's have a viewing angle of 8° from centre front and minimum brightness of 18 000 mcd per LED.

### FEATURES:

- Surface Mount Module available
- Various Voltage Modules available
- Durable casing
- -5°C to 50°C operating temperature
- Under voltage Protection
- Over voltage Protection
- Reverse Polarity Protection

### OUTLINE DIMENSIONS (in millimetres):



### SPECIFICATION SHEET:

PRODUCT	INPUT VOLTAGE	COLOUR	LED COLOUR	OVERALL SIZE (Bracket) (H x D) mm	DC-DC CONVERTER
WINGLIGHT	110Vdc	YELLOW	RED & WHITE	174 x 233	60-180Vdc to 24Vdc
WINGLIGHT (BI)	24Vdc	YELLOW	RED & WHITE		18-36Vdc to 24Vdc
WINGLIGHT (SM)	230Vac	YELLOW	RED & WHITE		230Vac to 24Vdc