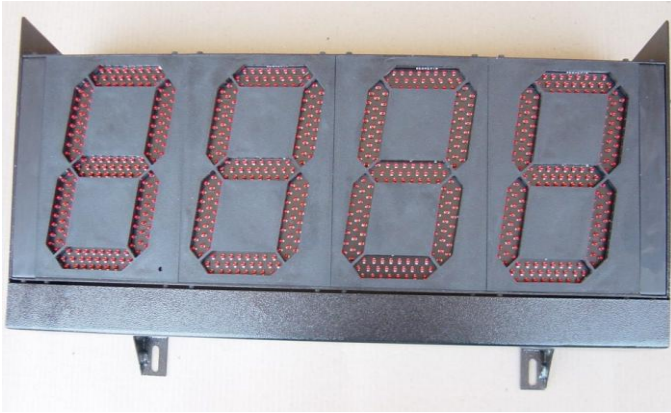
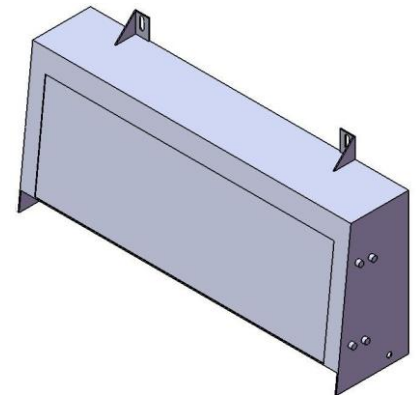
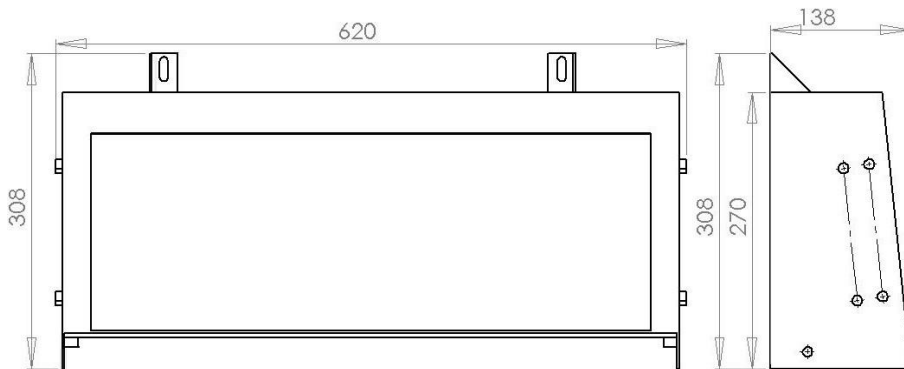


LED PRODUCTS [Train Destination Indicator - 5M2]

EWEB 4253



OUTLINE DIMENSIONS (in millimetres):



DESCRIPTION:

The construction of the TDI system is a robust sheet metal enclosure specially made to accommodate four seven segment displays, sensor, decoder electronics and DC-Dc converter. The TDI system is easily mounted behind the windscreen with the switches in the control panel of the motor coach.

FEATURES:

- 110Vdc System
- Light Sensor
- Metal Frame (black non-reflective powder coated)
- 25 Special Application LED's per segment
- 350mcd per LED
- 45° viewing angle at 30M

SPECIFICATION SHEET:

PRODUCT	INPUT VOLTAGE	COLOUR	LED COLOUR	OVERALL SIZE (L x W x H) mm	DC-DC CONVERTER
TDI - 5M2	110Vdc	BLACK	RED	620 x 138 x 308	60-200Vdc to 24/5Vdc