

# LED PRODUCTS [ Z-Lites ]

## EWEB 4300



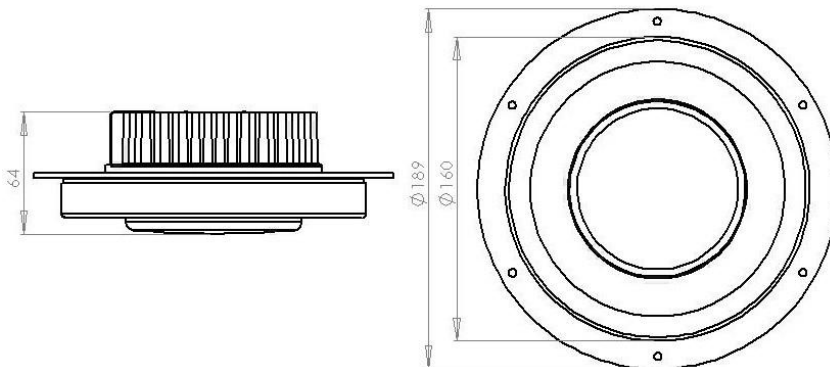
### DESCRIPTION:

The case and lens of the unit is constructed of injection-moulded polycarbonate. The polycarbonate is highly durable and resistant to shock, and the units are constructed to prevent any dust and water from entering the unit and causing any damage. The body is constructed out of injection moulded thermal conductive plastic. The light system has an emergency back-up light unit built in to it, when the main power falls away the emergency light will be activated and will be on for up to 80 min.

### FEATURES:

- 110Vdc and 230Vac Modules
- High powered LED's
- Emergency Back-up Light
- New Thermal Conductive Plastic Technology
- IP 65

### OUTLINE DIMENSIONS (in millimetres):



### SPECIFICATION SHEET:

DESCRIPTION	INPUT VOLTAGE	NO. LED	LED COLOUR	COLOUR	OVERALL SIZE (Bracket) (D x H) mm
Z-LITE	110Vdc	6 LED	COOL WHITE	WHITE	189mm x 64mm
Z-LITE + SWITCH	110Vdc	6 LED	COOL WHITE	WHITE	
Z-LITE - AC3	230Vac	1 LED	COOL WHITE	WHITE	
Z-LITE - NON EMERGENCY	230Vac	1 LED	COOL WHITE	WHITE	
Z-LITE - NON EMERGENCY	230Vac	2 LED	COOL WHITE	WHITE	
Z-LITE - NON EMERGENCY	230Vac	3 LED	COOL WHITE	WHITE	
Z-LITE - WITH EMERGENCY	230Vac	1 LED	COOL WHITE	WHITE	
Z-LITE - WITH EMERGENCY	230Vac	2 LED	COOL WHITE	WHITE	
Z-LITE - WITH EMERGENCY	230Vac	3 LED	COOL WHITE	WHITE	