

LED PRODUCTS *[Beacon Light]*

EWEB 4912



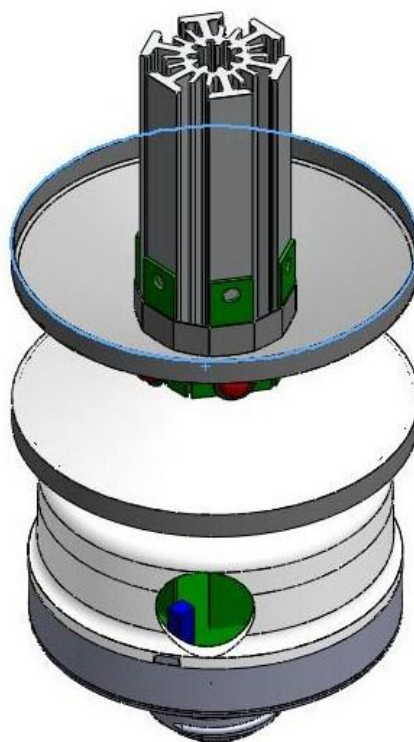
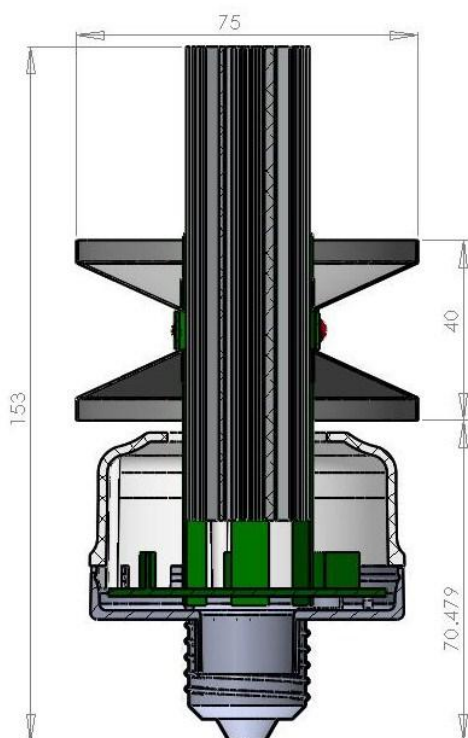
DESCRIPTION:

The Beacon light is an emergency light that consists out of a power control unit, beat blasted and polished reflectors and six high powered LED's that emits red light. This light source is normally used on top of communication towers and buildings to act as warning lights for aircrafts. This TYPE-B Beacon light complied with the photometric requirements of ICAO ANNEX 14 VOL ONE 3rd EDITION.

FEATURES:

- Over Temperature Regulation
- Flashing Module Available
- Complies to Aviation Class B Specification
- Microchip controlled Electronics
- LED's Intensity stays same irrespective of Voltage Input

OUTLINE DIMENSIONS (in millimetres):



SPECIFICATION SHEET:

PRODUCT	INPUT VOLTAGE	OVERALL SIZE (Bracket)
BEACON LIGHT	230Vac	155 (L)mm x 75 (D)mm
BEACON LIGHT	48Vdc	155 (L)mm x 75 (D)mm
BEACON LIGHT	24Vdc	155 (L)mm x 75 (D)mm