

HEATING PRODUCTS *[Heater Demister]*

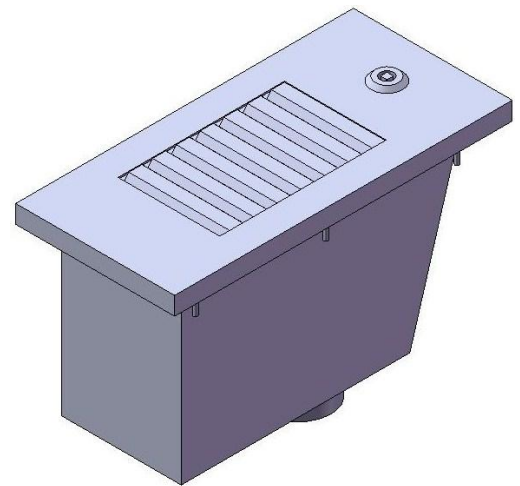
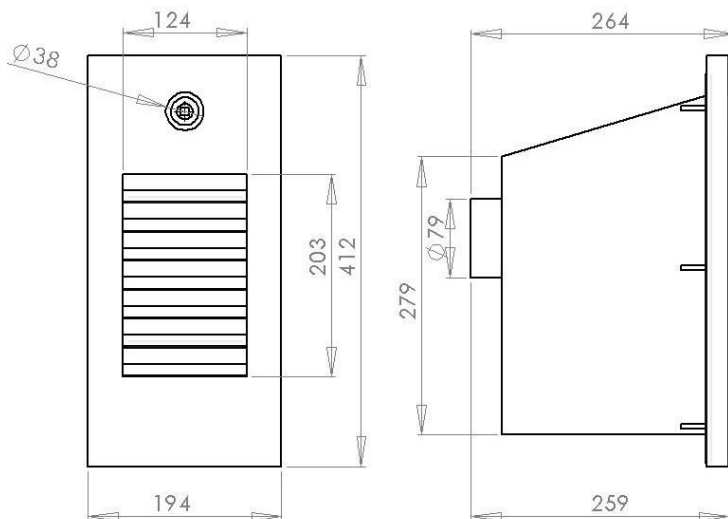
EWEB 6301 - Filter Box



DESCRIPTION:

The fresh air inlet is mounted on the side of the vehicle, and draws in fresh air from the outside of the vehicle. The air passes through a filter before it is drawn into the heater/blower unit to be heated and spread to the plenum boxes. The filter is mounted so as to be easily replaceable, and the vents are designed to prevent water from entering the system and clogging or dirtying the filter.

OUTLINE DIMENSIONS (in millimetres):



SPECIFICATION SHEET:

SPECIFICATIONS	DATA
OVERALL SIZE	264 x 194 x 412 mm
MASS	6.75kg