

HEATING PRODUCTS [100Vac 1500W (7E Heater)]

EWEB 6302

DESCRIPTION:

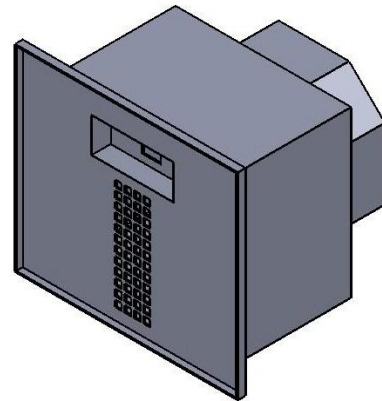
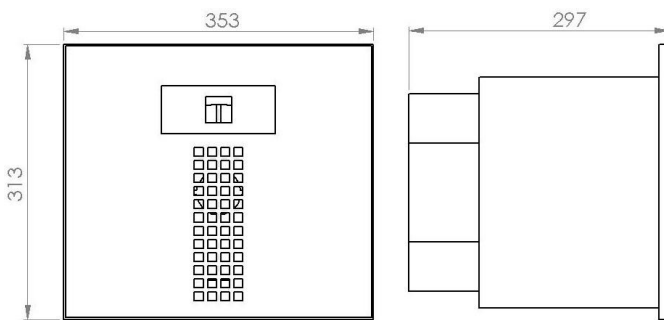
The 7E Heater is a 100Vac 1500W heater. It has 5 switching positions; off, low fan, high fan, low heat, high heat. The heat is generated by 4 x 375W elements. All these elements have thermal cut-out switches on them for safety precautions.

FEATURES:

- Centrifugal Fan
- Thermal cut-out switches
- 5 switching positions
- 4 x 375W Elements



OUTLINE DIMENSIONS (in millimetres):



SPECIFICATION SHEET:

| SPECIFICATIONS | DATA |
|-----------------------------|--|
| HEATER SWITCHING POSITIONS | 1. OFF 2. LOW FAN 3. HIGH FAN 4. LOW HEAT 5. HIGH HEAT |
| INPUT VOLTAGE | 100Vac |
| ELEMENT INPUT VOLTAGE | 100Vac |
| NUMBER. OF ELEMENTS | 4 |
| ELEMENT WATTAGE | 375W / ELEMENT |
| TOTAL WATTAGE | 1500W |
| CURRENT (FAN ONLY) | ± 0.6A |
| CURRENT (LOW HEAT) | ± 7.5A |
| CURRENT (HIGH HEAT) | ± 14.5A |
| OVER-TEMP. PROTECTION | 80°C |
| OVERALL SIZE (L x W x H) mm | 353 x 313 x 290 mm |
| MASS | 12KG |