

# DC - DC CONVERTERS [110Vdc to 24/5Vdc]

## EWEB 8114

### DESCRIPTION:

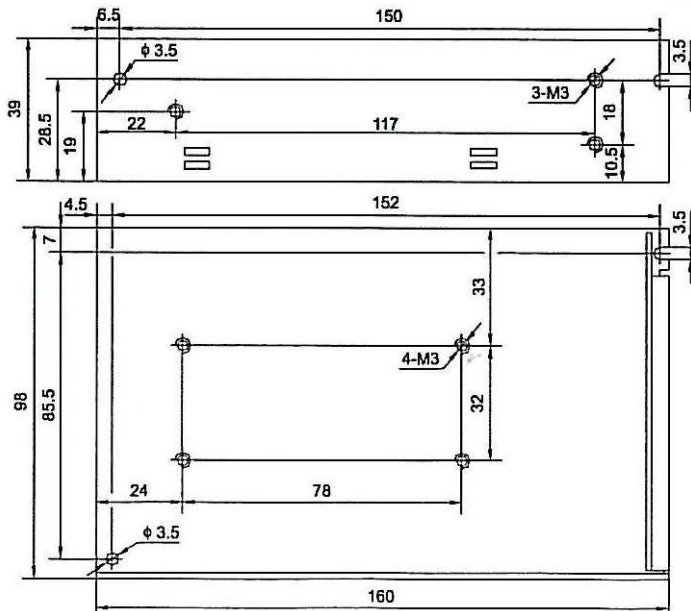
Switching Power Supply, Dual output



### FEATURES:

- Protections: Short Circuit / Over Load
- Built-in EMI filter, low ripple noise
- High reliability

### OUTLINE DIMENSIONS (in millimetres):



### SPECIFICATION SHEET:

SPECIFICATIONS	DATA	
INPUT VOLTAGE	110Vdc	
INPUT VOLTAGE RANGE	MIN. 72Vdc	MAX. 144Vdc
OUTPUT VOLTAGE	5Vdc	24Vdc
RATED CURRENT	1A	2.5A
RIPPLE & NOISE	80mV	150mV
EFFICIENCY	72%	
PROTECTION AVAILABLE	Over Load Short Circuit	
OPERATING TEMPERATURE	-10°C to +50°C	
STORAGE TEMPERATURE	-20°C to +85°C	
DIMENSIONS (mm)	160 x 98 x 39	