

MISCELLANEOUS [*dc-dc Converter*]

EWEB 9101



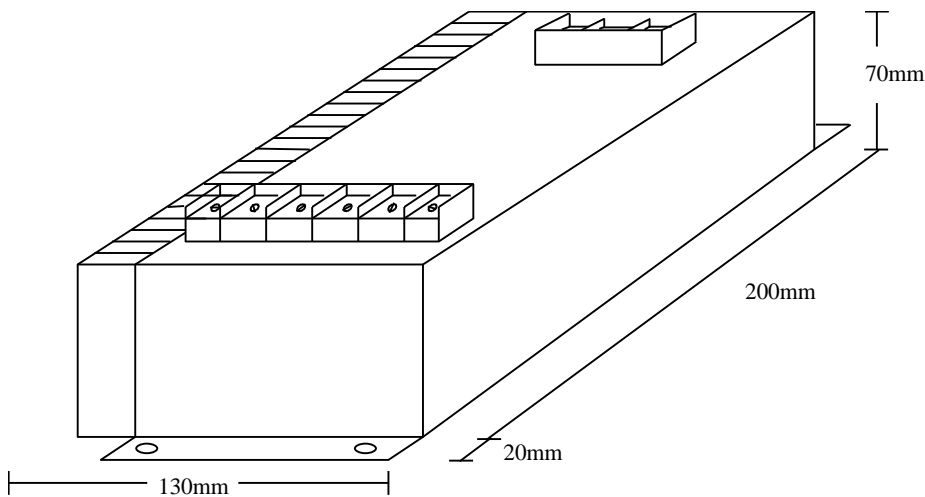
DESCRIPTION:

110Vdc - 24Vdc 15A Converter is a compact and rugged design that has various build-in protection systems which look after the power supply under abusive conditions.

FEATURES:

- Wide input voltage range
- Input protection via a fuse and a 180V Tranzorb
- Polarity insensitive input supply connection
- Regulated output voltage
- Easy connection terminals
- Output filter
- Small and efficient
- Robust construction

OUTLINE DIMENSIONS (in millimetres):



SPECIFICATION SHEET:

SPECIFICATIONS	DATA
CONTINUOUS OUTPUT POWER	12.5Watt
INPUT VOLTAGE RANGE	75Vdc - 200Vdc
INPUT VOLTAGE RATED FOR	110Vdc
OUTPUT VOLTAGE	24Vdc
FREQUENCY INPUT / DC	DC
MAX CURRENT	15A
RIPPLE	Less than 50mV
OVERLOAD PROTECTION	Current Fold back
DIMENSIONS	200(L) x 130(W) x 70(H)mm